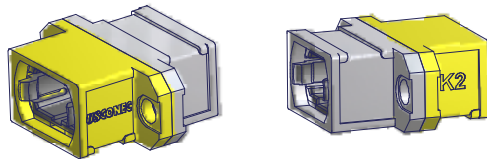
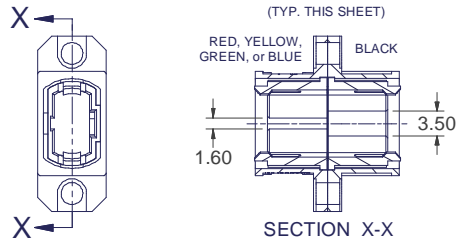
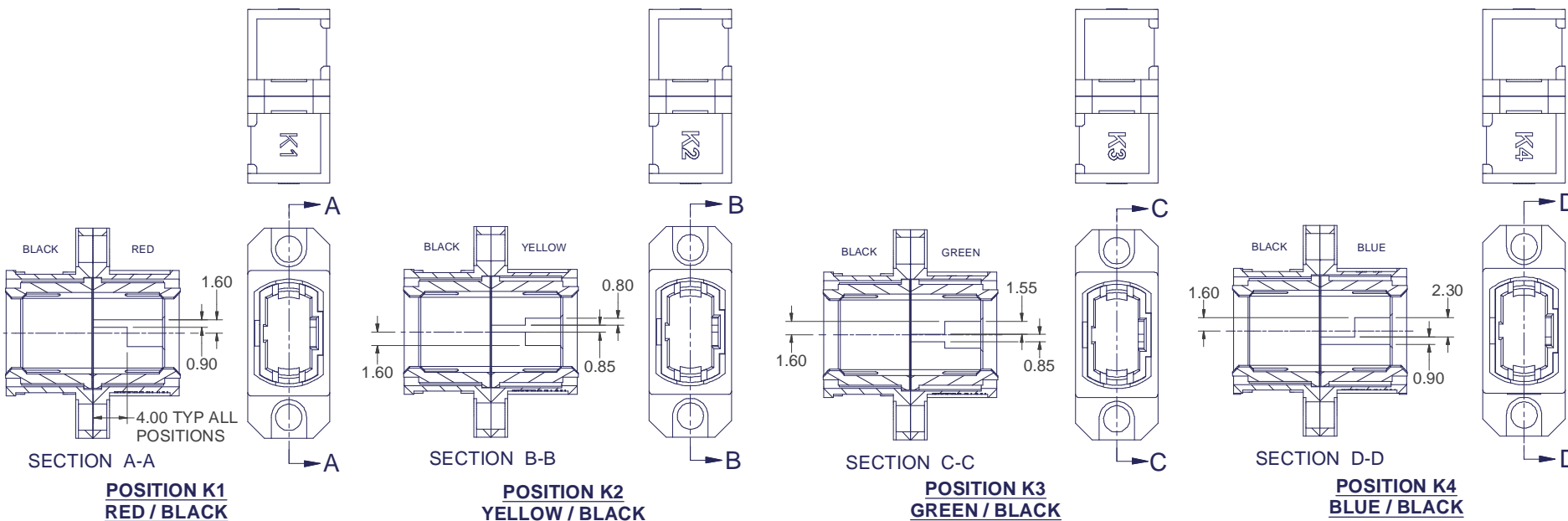


4 | 3 | 2 | 1

OPPOSITE SIDE KEY DETAIL
(TYP. THIS SHEET)



ASSY PART NO.	ADAPTER COLOR	IDENTIFY MARK	KEY POSITION
9190	RED / BLACK	K1	K1 / STD
9191	YELLOW / BLACK	K2	K2 / STD
9192	GREEN / BLACK	K3	K3 / STD
9193	BLUE / BLACK	K4	K4 / STD



NOTE:

- INTERFACE DIMENSIONS TO COMPLY WITH TIA / EIA - 604-5 INTERMATEABILITY STANDARD WITH EXCEPTION OF KEYING FEATURES FOR SECURE APPLICATION.

Material: N/A

REV.	DATE	DESCRIPTION	ECN
A	8/29/07	INITIAL RELEASE	00913

CUSTOMER DRAWING

DIMENSIONS FOR REFERENCE ONLY

THIRD ANGLE PROJECTION

METRIC/mm

USCONEC Hickory, NC
800-769-0944
www.usconec.com

TITLE
**ASSY, ADAPTER, STD,
SECURE KEYED, MTP**

SIZE B S&M Part No.: SEE CHART DWG NO. **C9190** REV A

SCALE N.T.S. Drafter M. YOUNT Date: 5/22/2007 SHEET 1 OF 2

▲ DENOTES CRITICAL DIMENSION.

4

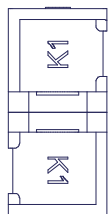
3

2

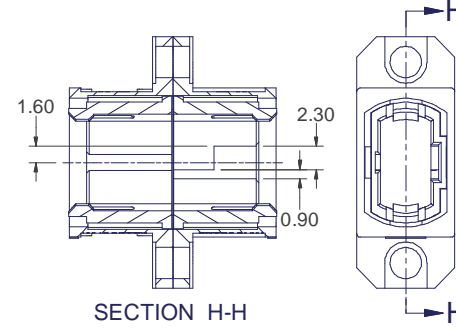
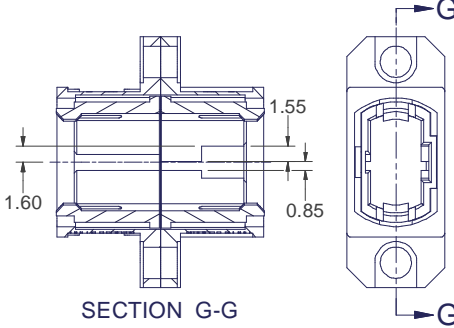
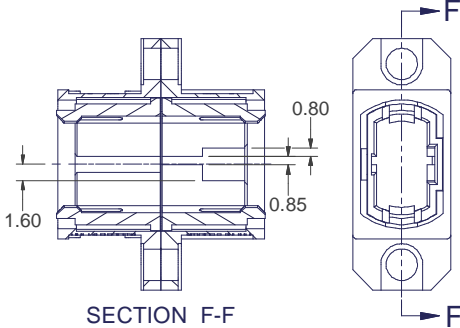
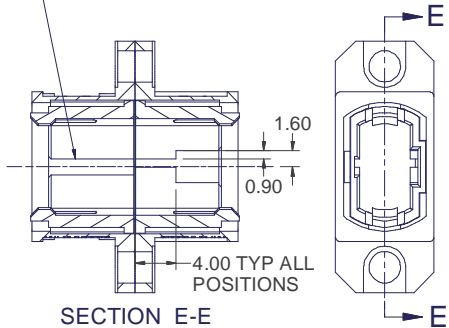
1



ASSY PART NO.	ADAPTER COLOR	IDENTIFY MARK	KEY POSITION
9200	RED / RED	K1	K1 / K1
9201	YELLOW / YELLOW	K2	K2 / K2
9202	GREEN / GREEN	K3	K3 / K3
9203	BLUE / BLUE	K4	K4 / K4



SEE SHEET 1
OPP. SIDE KEY DETAIL
4X



SECTION E-E
POSITION K1
RED / RED

SECTION F-F
POSITION K2
YELLOW / YELLOW

SECTION G-G
POSITION K3
GREEN / GREEN

SECTION H-H
POSITION K4
BLUE / BLUE

▲ DENOTES CRITICAL DIMENSION.

Material:		N/A	
REV.	DATE	DESCRIPTION	ECN
		SEE SHEET 1	

CUSTOMER DRAWING



Hickory, NC
800-769-0944
www.usconec.com

DIMENSIONS FOR REFERENCE ONLY

TITLE
**ASSY, ADAPTER, STD,
SECURE KEYED, MTP**

THIRD ANGLE PROJECTION



SIZE	S&M Part No.:	DWG NO.	REV
B	SEE CHART	C9190	A

METRIC/mm

SCALE	Drafter	Date:	SHEET	OF 2
N.T.S.	M. YOUNT	5/22/2007	2	2

4

3

2

1